

UNDERGROUND ROOF SUPPORT



PACIFIC MINING PARTS

Technical Specification: Helicoidal Bolt A630 - 420H

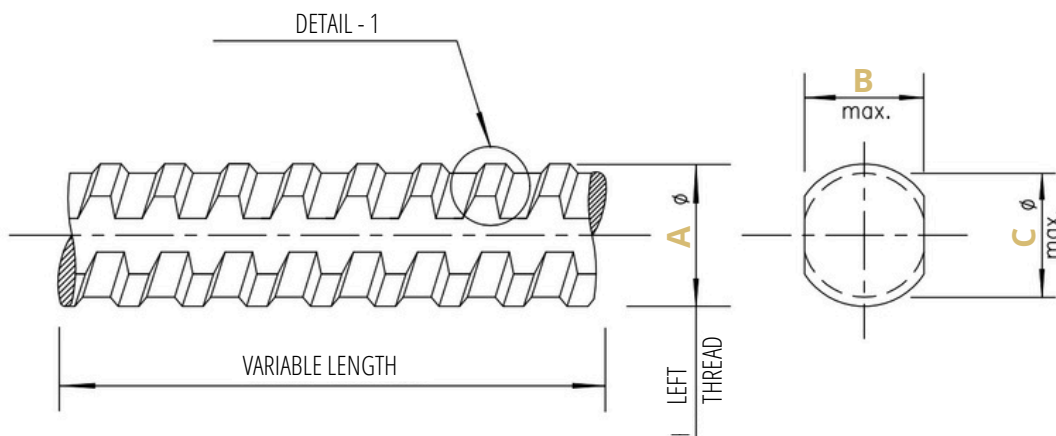
Specifications		
Steel Quality (*)	A630 - 420H	
Nominal Diameter (mm)	22	25
Length (m) (**)	2.3 - 2.5 - 2.7 - 3.0 - 3.5	2.5 - 2.7 - 3.0 - 3.5 - 4.0
Weight (kg/m)	2.85	3.87
Minimum Yield Strength (MPa)	420	420
Minimum Tensile Strength (MPa)	630	630
Elongation	8%	8%
Minimum Breaking Load (kgf)	24.500	31.500

Optional: Surface coating with galvanization under ASTM A123/1213M

(*) Compliant with NCh-204 Standard.

(**) Size is customizable upon request, up to 12 meters.

Nominal Diameter	22mm	25mm
A	25.2mm	28.2mm
B	20.6mm	21mm
C	21mm	24mm



UNDERGROUND ROOF SUPPORT



PACIFIC MINING PARTS

Technical Specification: Helicoidal Bolt A440 - 280H

Specifications		
Steel Quality (*)	A440 - 280H	
Nominal Diameter (mm)	22	25
Length (m) (**)	2.3 - 2.5 - 2.7 - 3.0 - 3.5	2.5 - 2.7 - 3.0 - 3.5 - 4.0
Weight (kg/m)	2.85	3.87
Minimum Yield Strength (MPa)	280	280
Minimum Tensile Strength (MPa)	440	440
Elongation	16%	16%
Minimum Breaking Load (kgf)	17.000	22.000

Optional: Surface coating with galvanization under ASTM A123/1213M

(*) Compliant with NCh-204 Standard.

(**) Size is customizable upon request, up to 12 meters.

Nominal Diameter	22mm	25mm
A	25.2mm	28.2mm
B	20.6mm	21mm
C	21mm	24mm

