

UNDERGROUND ROOF SUPPORT



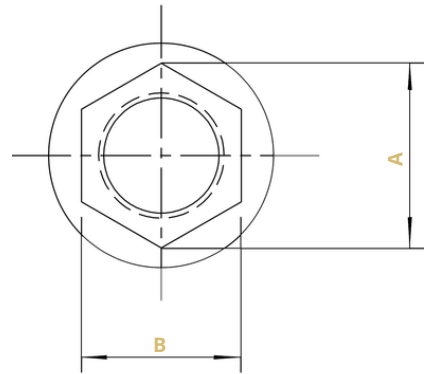
PACIFIC MINING PARTS

Technical Specification: **Nut**

Specifications		
Material	Steel	
Weight (kg)	0.35	0.40
Diameter (mm)	22	25
Length (mm)	42	51
Finish	Galvanized	
Steel Quality	SAE 1045	

The size is customizable according to requirements.

Diameter	22mm	25mm
A	37mm	39mm
B	32mm	44mm



Length	22mm	25mm
A	42mm	65mm
B	45mm	50mm

